

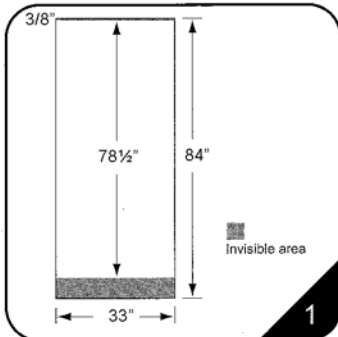
INSTALLATION STEPS

Modern appearance, high quality, practical, flexible for multiple uses Carry Cases and Spotlights are available as accessories Fast and easy to alter graphics

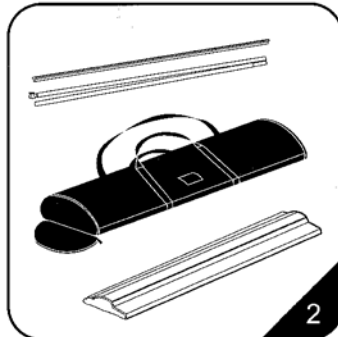


Deluxe Roll Up

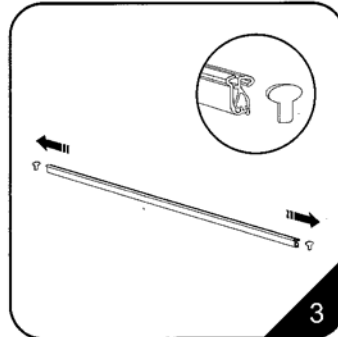
ROLLUP-33DS
Deluxe Roll Up, Flat base,
Snap-in top and bottom,
Padded bag, 33" x 78.5



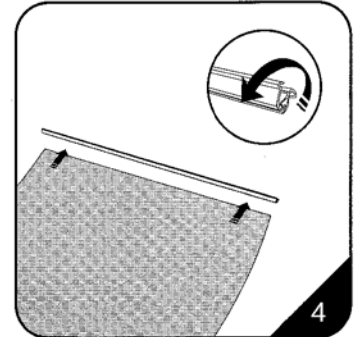
1. The overall dimension of the stand is 33" (wide) x 84" (high). The visible overall height of the graphic is 33" (wide) x 78.5" (high). Please allow extra length for graphic insertion.



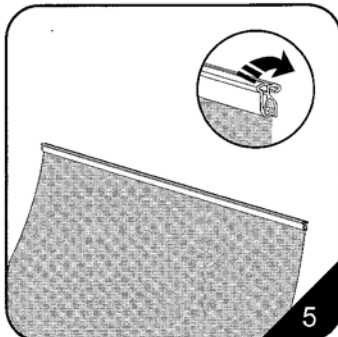
2. The case should contain a base unit, telescopic pole and upper banner attaching beam.



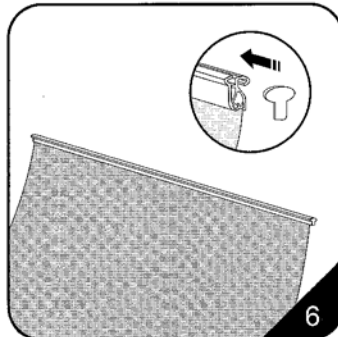
3. Remove the plastic end caps from the upper beam.



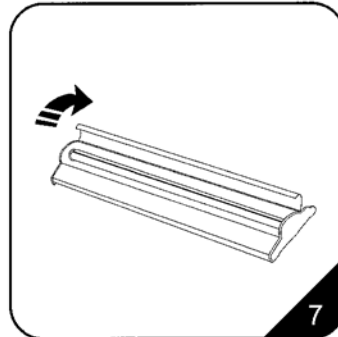
4. Pull apart gently the beam's locking lip in order to attach the top edge of the banner. Ensure the front of the banner faces forward as the same side as the front of the lip.



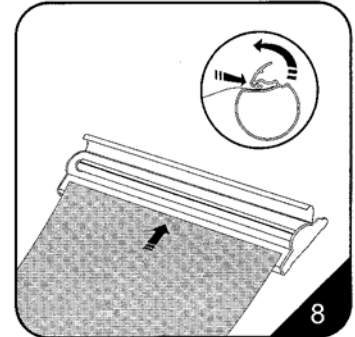
5. Slide the top of the graphic under the lip (it should allow for approx. 3/8" or 1cm insertion) and close the lip to secure the graphic.



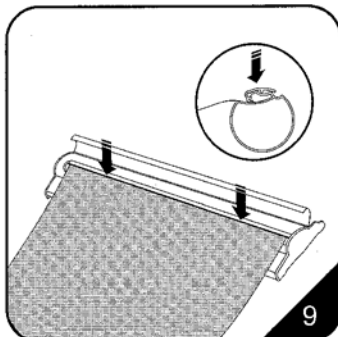
6. Then finish the top by re-attaching the plastic end caps.



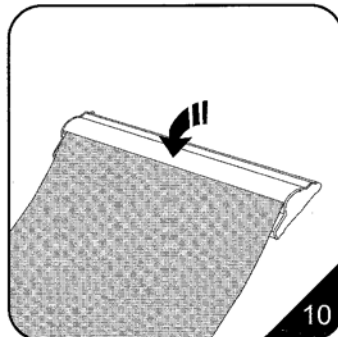
7. Open the cover of the base unit.



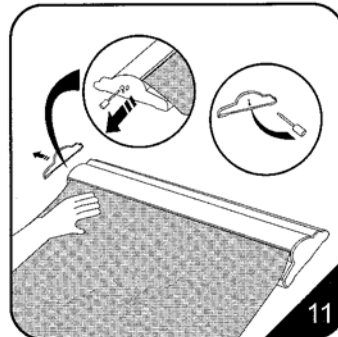
8. Open the roller's lid, slide the bottom edge of the graphic under the lid (please allow for at least 3/8" or 1cm insertion). The back of the graphic should be facing upwards.



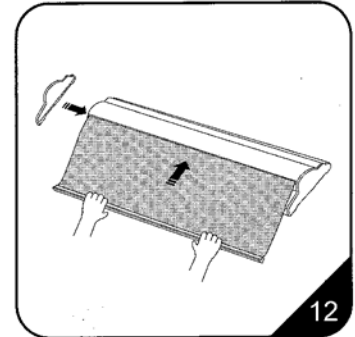
9. Close the roller's lip to secure the graphic.



10. Close the cover of the base unit.



11. Peel off the cover, remove the screw underneath the chrome end of the base and detach. Then, with the banner held firmly, carefully pull out the retaining pin, then put it into the cover.



12. Carefully allow the banner to recoil into the base unit (It may be useful to have an assistant hold the base steady), then reattach the chrome end. You may need to pull the banner out (away from the base) before it will start to retract.