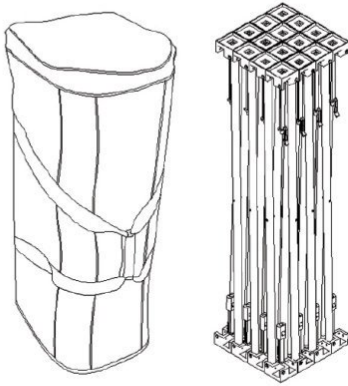
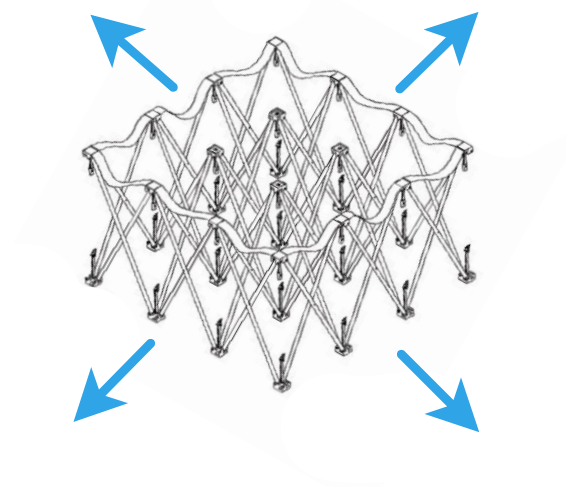


# DWFAB-FABRIC DISPLAY WALL - Display Wall Setup

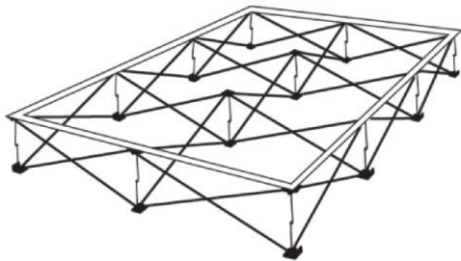
1. Remove Wall from the bag



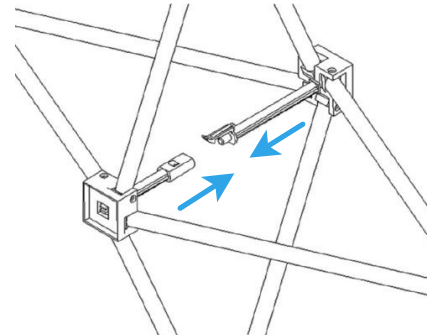
2. Expand carefully on the floor



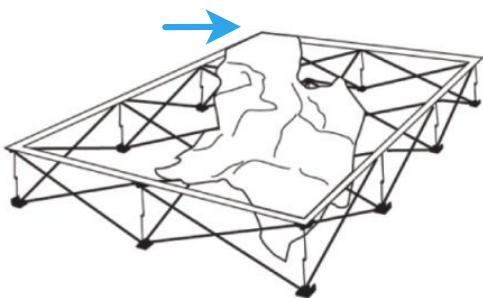
3. Make sure Velcro is facing up



4. Carefully line up and attach all Connectors



5. Start attaching fabric in 1 corner



6. Stretch fabric to attach along each side



The Wall can be collapsed and transported with the fabric still attached

**WARNING: Make sure all Connectors are disconnected before trying to collapse Wall**